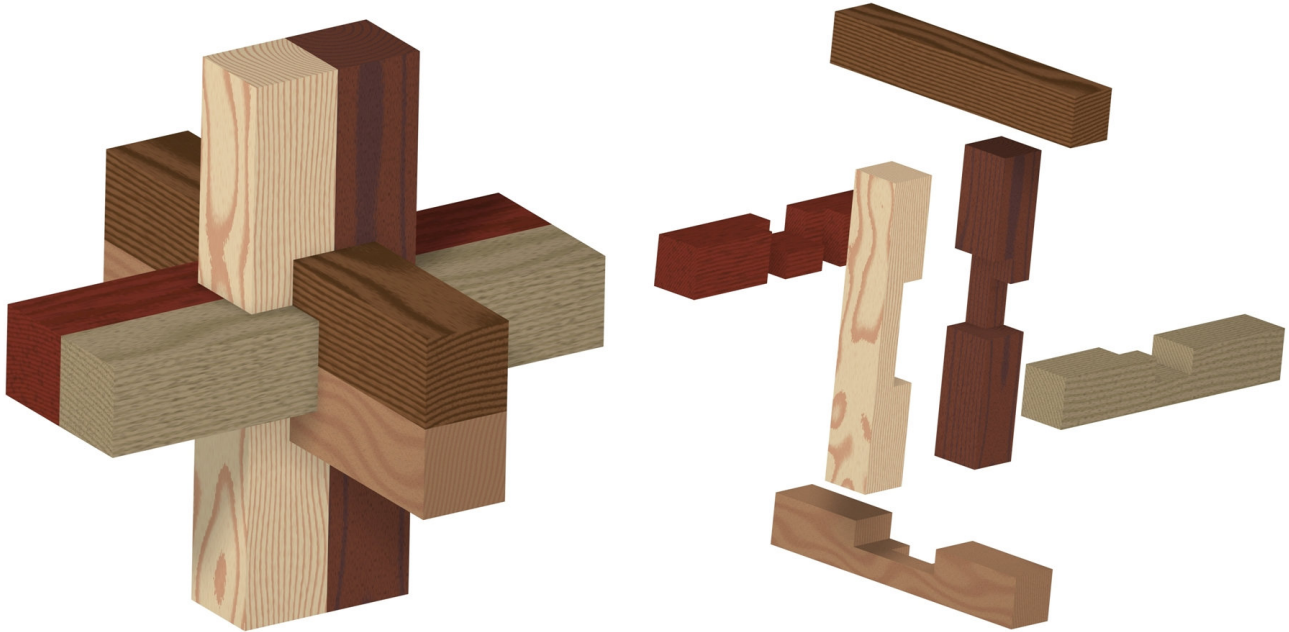


Six-piece burr puzzle (without internal voids) plan

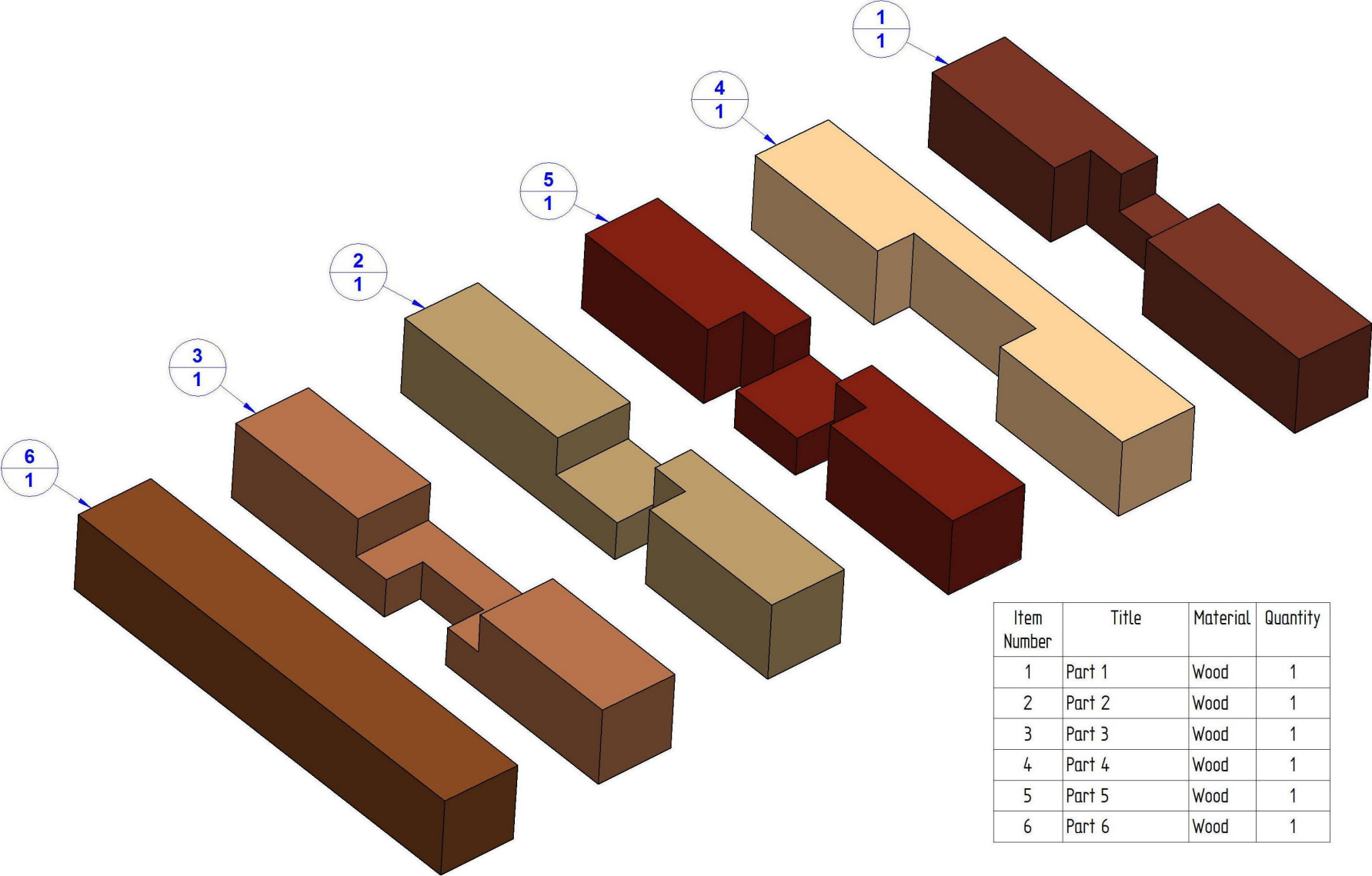


You can use various types of hard wood to make this project. We recommend purchasing some hard wood with a nice, interesting texture like Rosewood, Teak, Oak, Walnut, Chery, Ash etc.

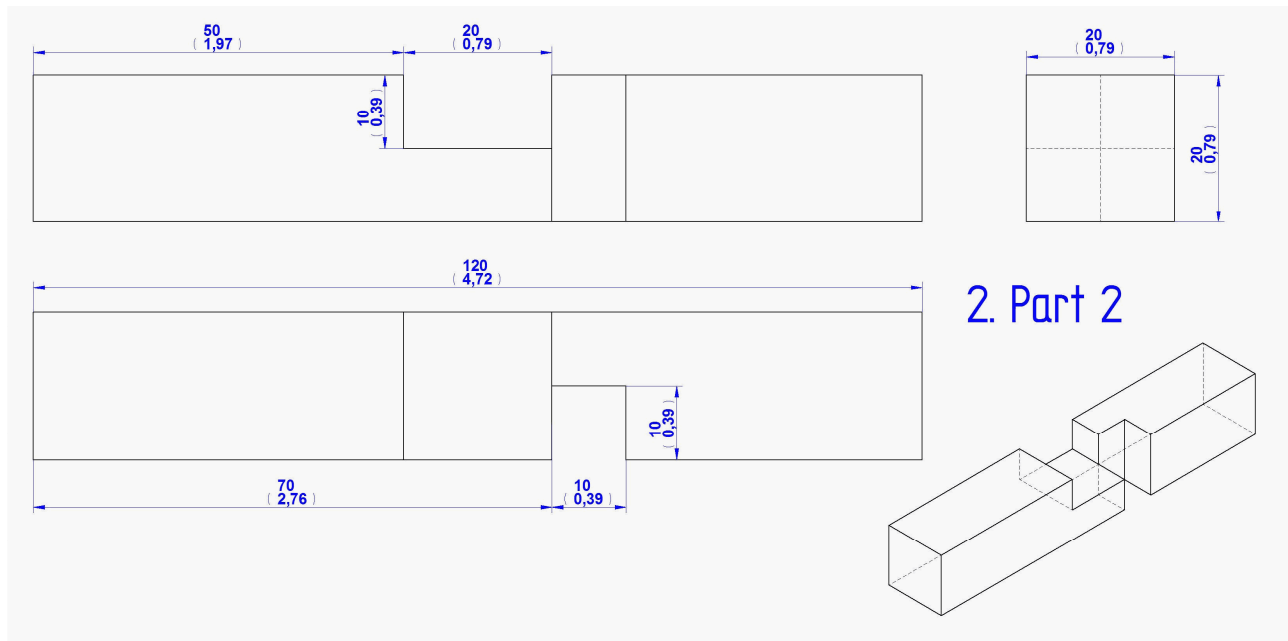
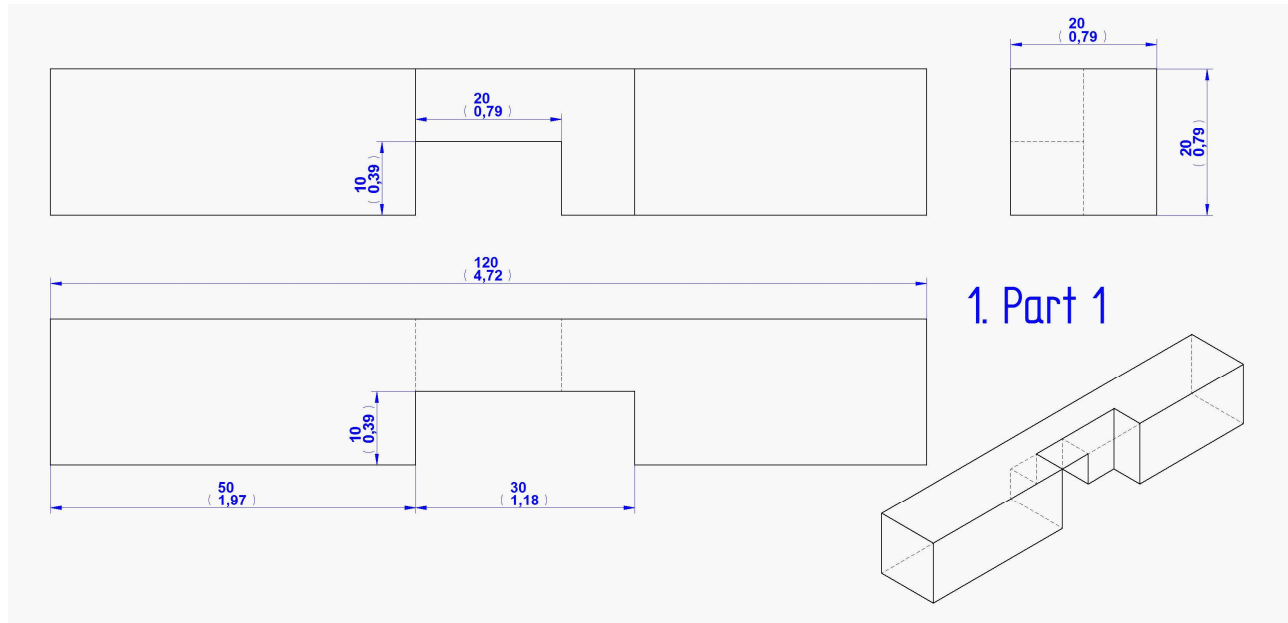
Make all the items following the instructions given in 2D documentation and try to piece the puzzle together. If some of the items do not fit to its place, rub one thin layer of wood with sandpaper, until all the items easily fit. Just be careful not to remove too much material during the sanding.

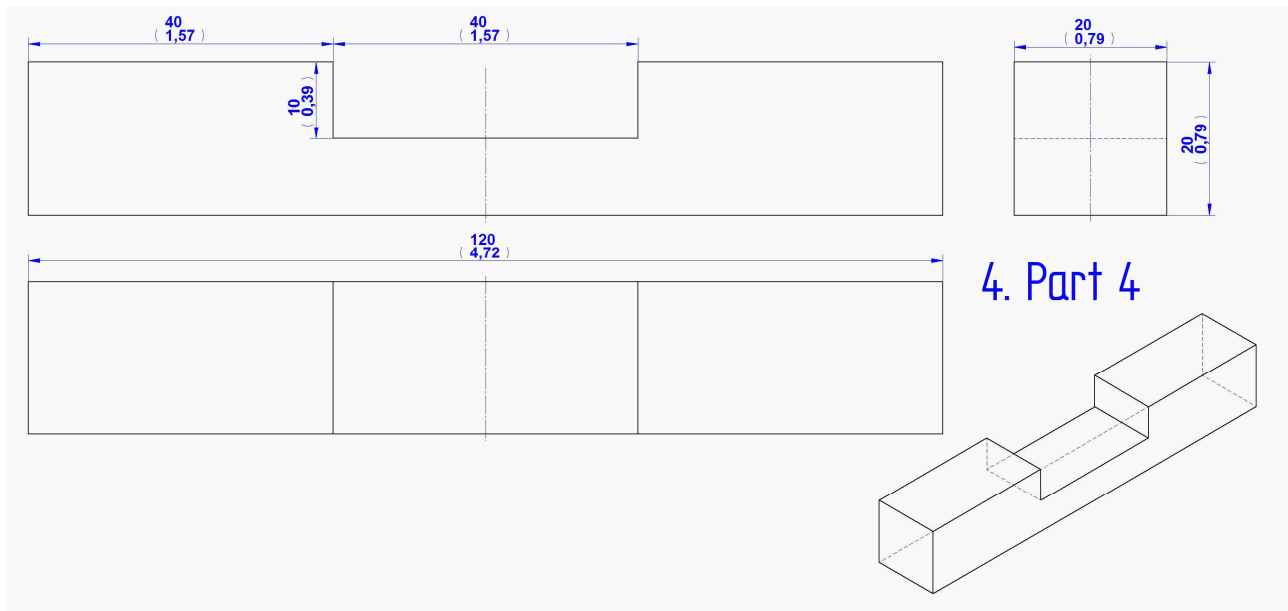
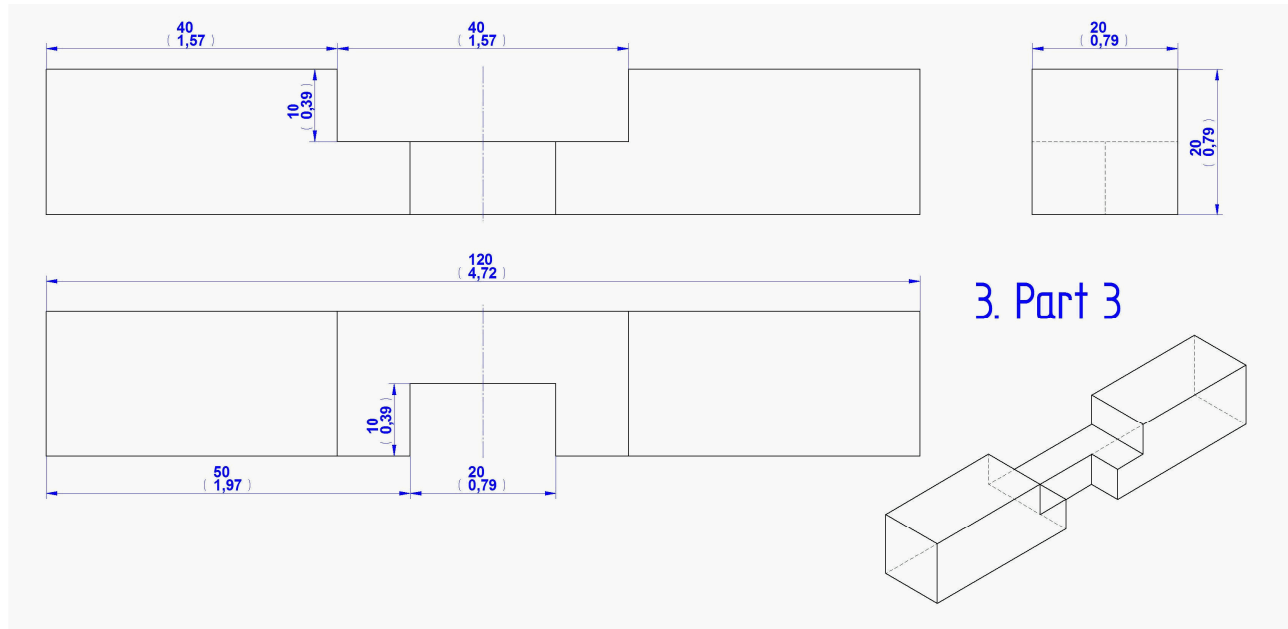
The measurements are given in millimeters, and the measurements in inches are given in brackets (1 inch = 25, 4 mm).

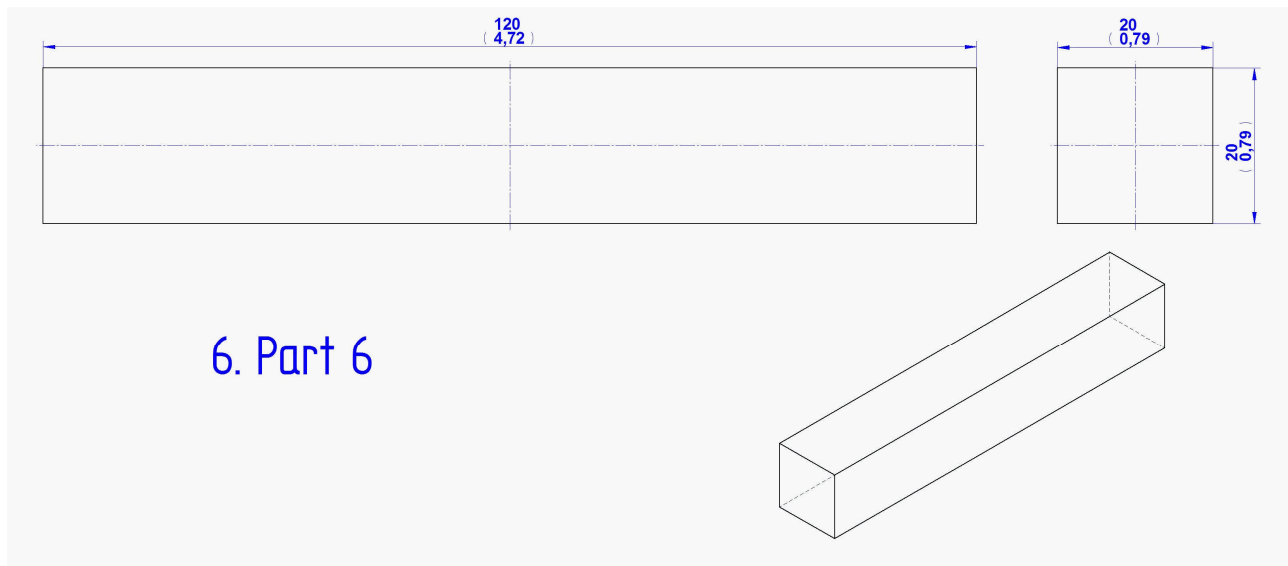
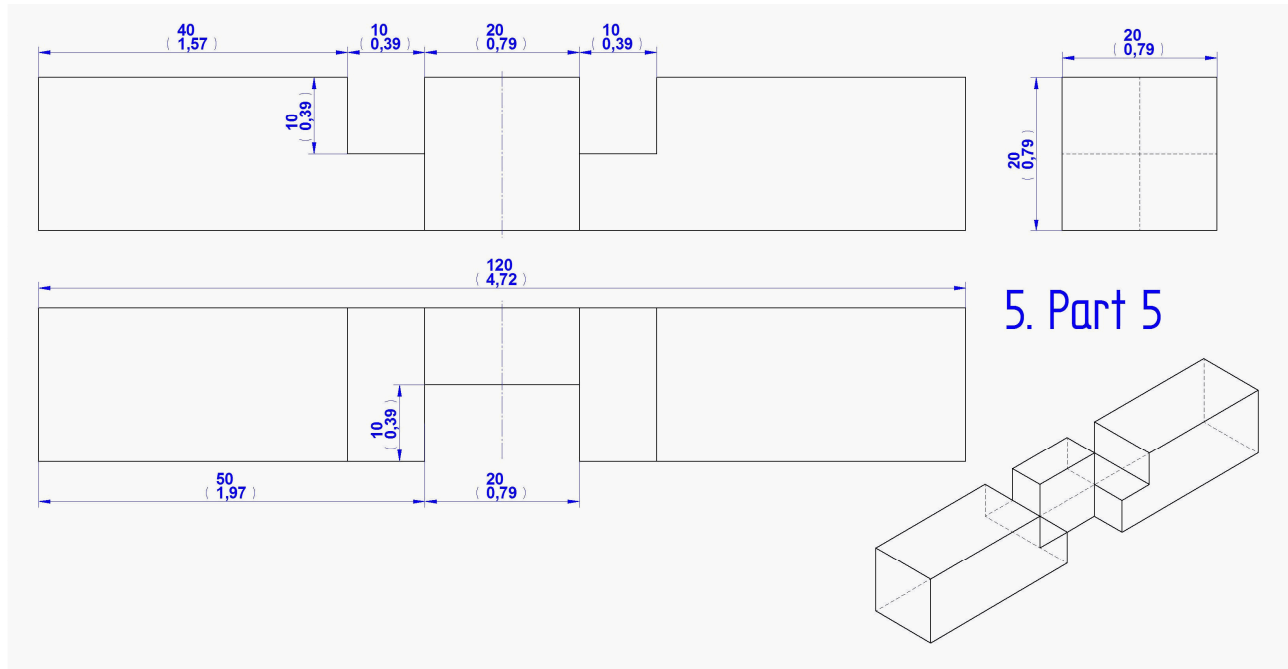
Parts List



Item Number	Title	Material	Quantity
1	Part 1	Wood	1
2	Part 2	Wood	1
3	Part 3	Wood	1
4	Part 4	Wood	1
5	Part 5	Wood	1
6	Part 6	Wood	1

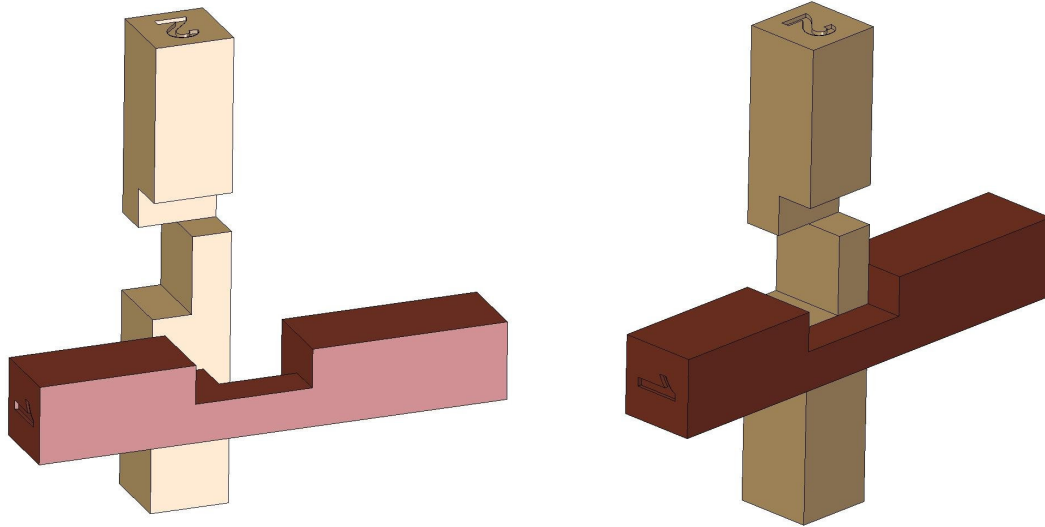




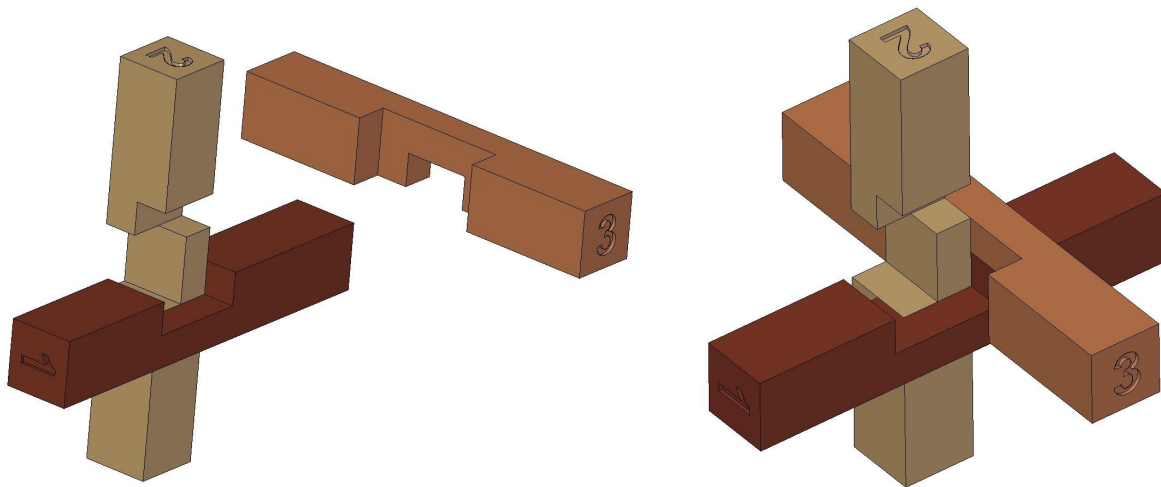


Solution

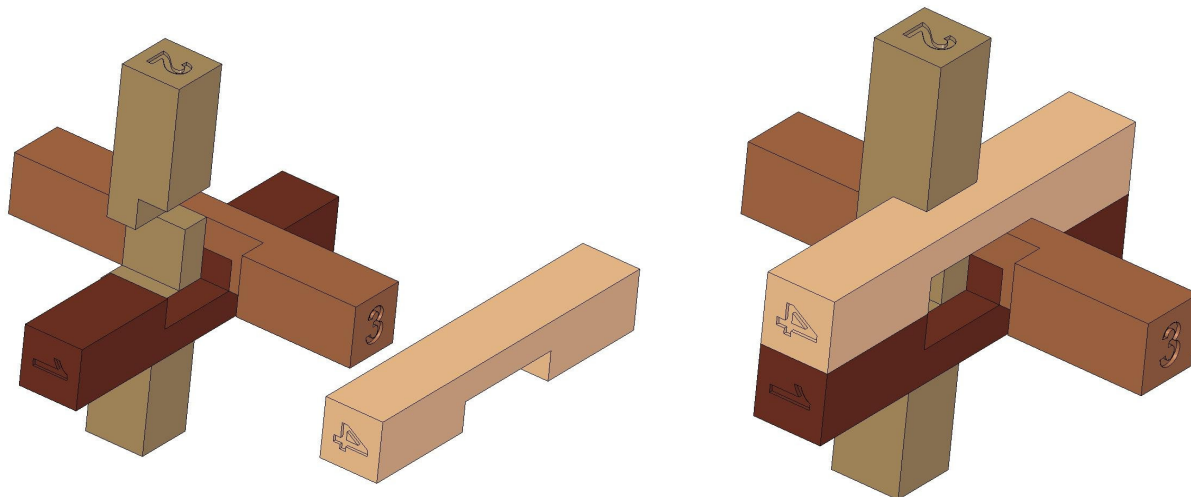
Step 1



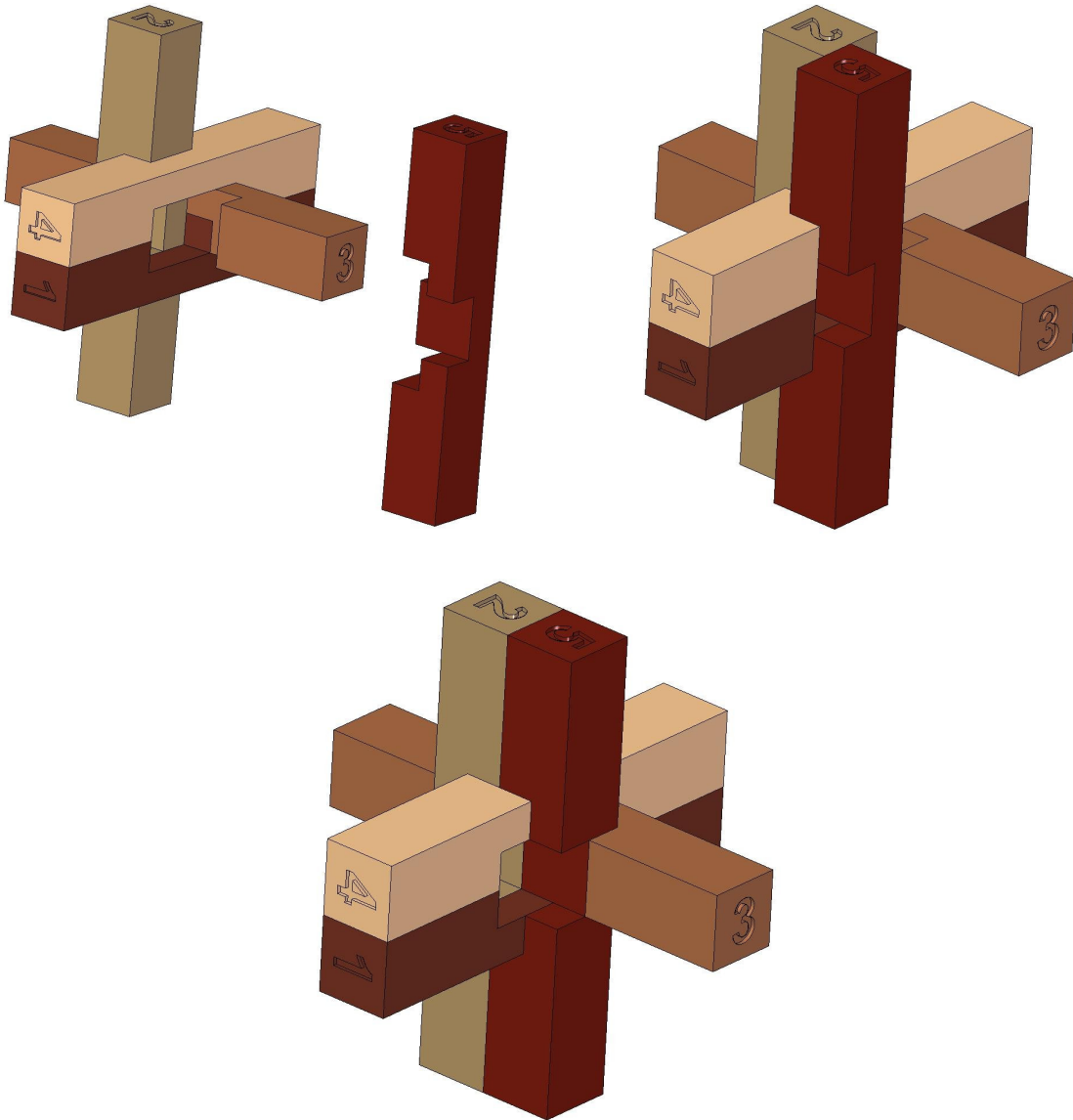
Step 2



Step 3



Step 4



Step 5

